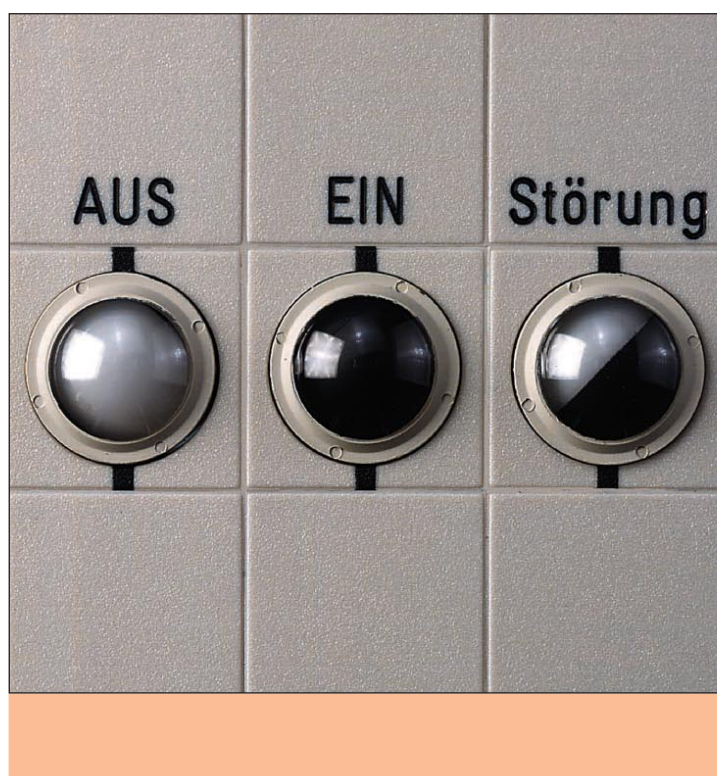


# Eyeball Indicator



**KM 24**

**KM 36**



The products described in this brochure are intended for industrial use and meet the requirements laid down by the EU directive 73/23/EU (issued by the Council for Coordination of the Regulations of EU Member Countries regarding the electrical equipment for use within certain voltage limits, revised by directive 93 / 68 EU issued by the council).

The contents may be subject to modification for the purpose of technical improvement. The general regulations applicable to installation and commissioning must be observed. No warranty can be accepted.

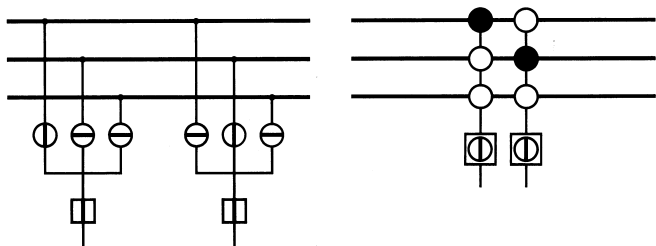
---

---

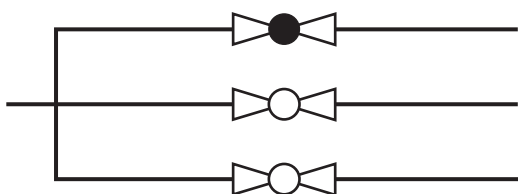
Contents	Page
Application	4
Design and Principle of Operation	4
Technical Characteristics	4
Dimension Drawings and Diagrams	5

## Application

The eyeball indicator is preferably used in situations that require visual simulation of the circuit or operating state of a device and indication of the fault position in addition to the ON and OFF positions. Eyeball indicators are particularly suitable for monitoring busbars and line disconnectors in complex transformer substations which are represented in the form of a mimic diagram of relatively small dimensions. As the eyeball indicator can be installed at the nodal point of the busbars, the mounting space can be reduced considerably. This space saving advantage increases even further with the number of busbars used in the system.



Eyeball indicators are also used by the chemical industry, for example, to monitor valves and slides in supervisory flow diagrams.



## Design and Principle of Operation

The eyeball indicator has an electromagnetic drive which upon activation of the ON or OFF coil turns the rotating ball in the front of the housing by approximately 90 degrees to the right or left. At zero current, a simple spring system holds the ball in the exact centre position. The eyeball indicator is supplied with a coloured square or ring-form front plate. Eyeball indicators with a square front plate are intended for flush-type mounting, whereas ring-form eyeball indicators are intended for mounting in mosaic indicator boards. The diameter or side length of the front plate can be 24 mm or 36 mm.

The eyeball indicator is used for the representation of junction indicators, conductor run indicators (2 mm or 3 mm), earthing indicators, switch truck indicators, near-remote or local-remote indicators. The eyeballs and eyeball symbols are available in different colours.

Eyeball indicators of the type KM 36 r BEL, KM 36 q BEL and KM 36 m BEL are equipped with 2 holders for T 5.5. call lamps of the plug-in type. These illuminated eyeball indicators are used in systems where in addition to the mechanical position indication specific circuit states, for example, differential position information, must be indicated. The call lamps are inserted at the rear of the device.

## Technical Characteristics

### Exciter end

Type of current	Direct current
Nominal voltage	24 V, 48 V, 60 V, 110 V, 220 V
Continuous overload capability	1.1 $V_{rated}$
Response voltage	0.8 $V_{rated}$
Power consumption at $U_n$	1.0 W to 1.8 W

### Lamp circuit

Supply voltage	60 V DC max.
Filament lamps	Type T5.5 24 V, 50 mA 30 V, 40 mA 48 V, 25 mA 60 V, 20 mA 70 V, 20 mA

## General Characteristics

Type of protection	IP 40 (acc. to DIN 40050)
Test voltage	2 kV (VDE 0435 m/9. 72)
Ambient temperature range	-20 °C to +50 °C
Mechanical life	5 x 10 <sup>4</sup> operation
Mounting position	Any position
Weight (appr.)	160 g for KM 24 220 g for KM 36

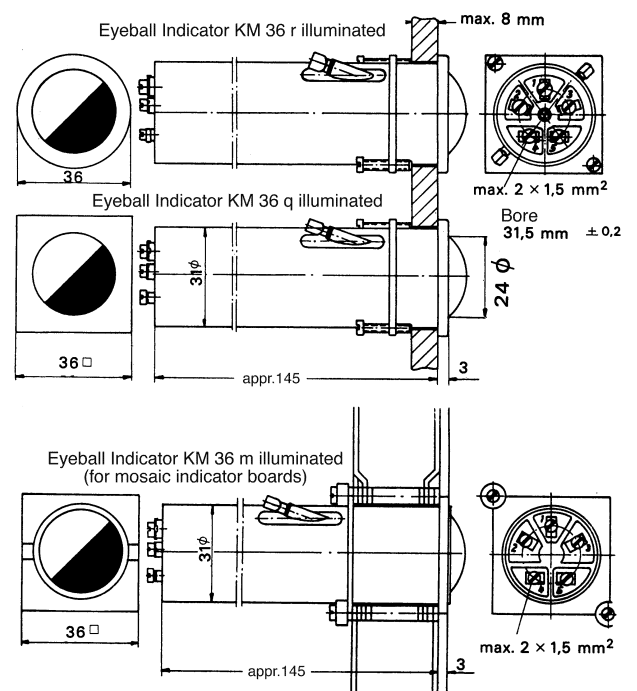
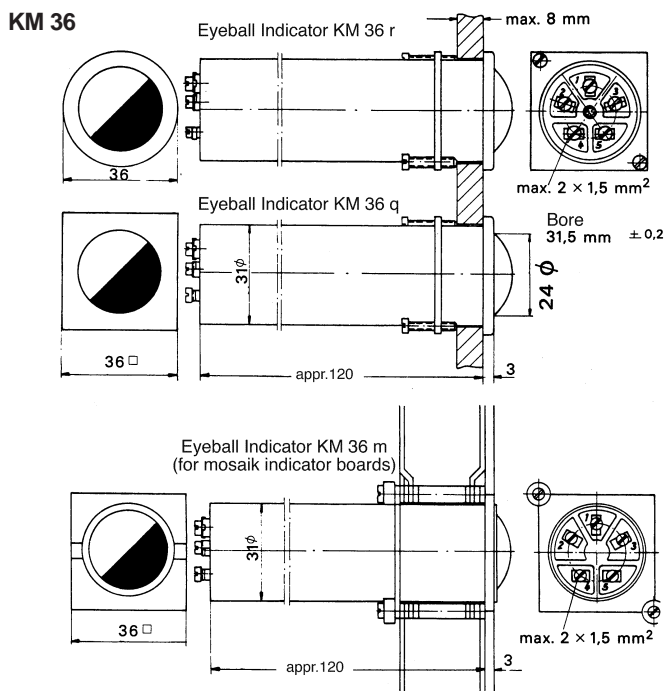
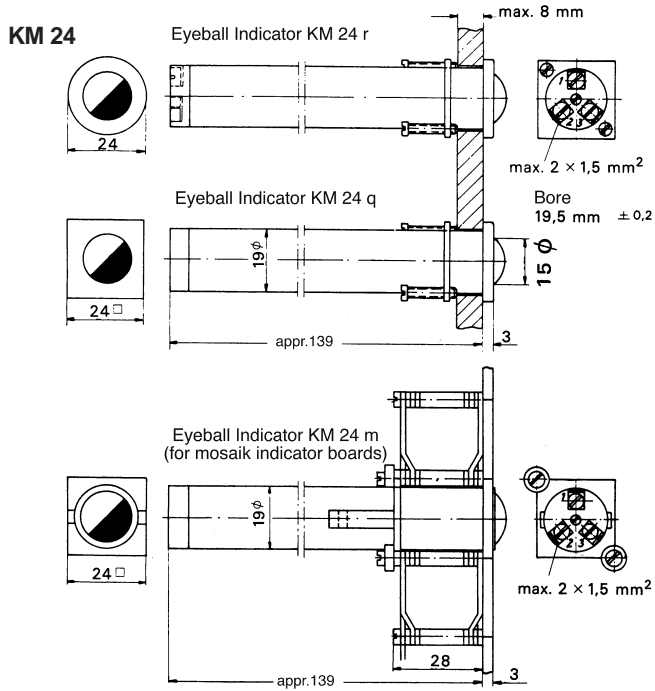
## Eyeball Colour

The standard colour for the colouring of the white ball for junction indication or the symbols for conductor run or earthing indication is black.

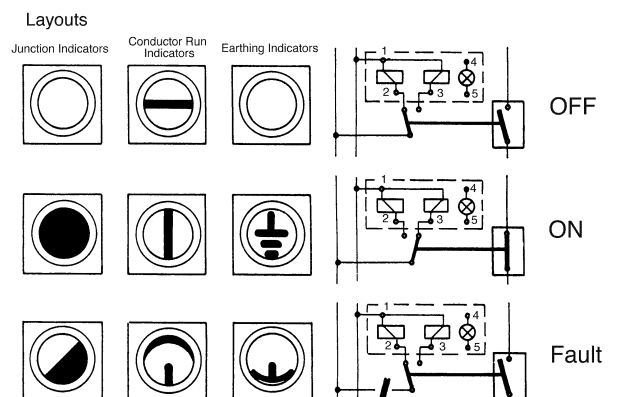
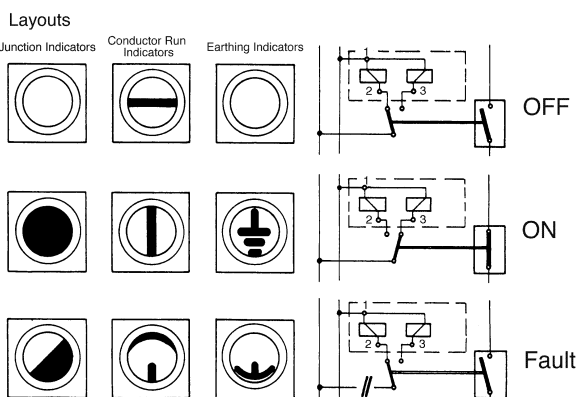
The following symbol colours are available at extra charge:

Yellow	acc. to RAL 1012 and RAL 1016
Red	acc. to RAL 2002 and RAL 3000
Blue	acc. to RAL 5010 and RAL 5012
Green	acc. to RAL 6002 and RAL 6010
Brown	acc. to RAL 8023
Green	acc. to RAL 7005

Additional symbol colours are available on request.



Diagrams



# Representatives

---



## INTERNATIONAL

**Mauell AG**  
Furtbachstraße 17  
**CH-8107 Buchs/Switzerland**  
Tel. +41 (0)1/844 48 11  
Fax +41 (0)1/844 44 56

**Mauell GmbH**  
Brown-Boveri- Straße 8/12  
**A-2351 Wiener Neudorf / Austria**  
Tel. +43 (0)22 36/2 11 01-0  
Fax +43 (0)22 36/2 11 01-30

**Helmut Mauell B.V.**  
Postbus 89  
**NL-3840 AB Harderwijk / Netherlands**  
Tel. +31 (0)341/41 15 80  
Fax +31 (0)341/41 15 81

**Mauell Ltd.**  
P.O. Box No. 183  
**GB-Calne, SN11 9BZ, Wiltshire/Great Britain**  
Tel. +44 (0)1249/81 20 46  
Fax +44 (0)1249/81 70 96

**Mauell AB**  
Fredsforsstigen 22-24  
**S-168 66 Bromma/Sweden**  
Tel. +46 (0)8/98 60 05  
Fax +46 (0)8/98 56 50  
Telex 10 428

**Mauell Corporation**  
31 Old Cabin Hollow Road  
**Dillsburg PA 17019/USA**  
Tel. +1717 432 86 86  
Fax +1717 432 86 88

**Helmut Mauell do Brasil Ltda.**  
Caixa Postal 54  
**06850-000 Itapeverica da Serra São Paulo/Brazil**  
Tel. +55 (0)11 7947-1777  
Fax +55 (0)11 7947-1774

**Helmut Mauell Pty Ltd**  
Level 11  
100 Walker Street  
**North Sydney NSW 2060/Australia**  
Tel. +61 (0)2/9460 1855  
Fax +61 (0)2/9460 0616

**J. Lorente**  
Apartado de Correos 5  
**E-Las Rozas (Madrid)/Spain**  
Tel. +34 (0)9/16 30 07 50  
Fax +34 (0)9/16 30 33 09

**N.V. Rogelec S.P.R.L.**  
Nieuwevaart 101  
**B-9000 Gent/Belgium**  
Tel. +32 (0)9/225 54 06  
Fax +32 (0)9/223 44 10

**Ingeniørfirmaet K. Fritzbøger A/S**  
Kongevejen 79  
**DK-2840 Holte/Denmark**  
Tel. +45 45 41 45 31  
Fax +45 45 41 45 32

**Berggård Amundsen & Co. A/S**  
Postboks 25, Manglerud  
**N-0612 Oslo 6/Norway**  
Tel. +47 (0)22/68 10 00  
Fax +47 (0)22/68 98 43  
Telex 76 031

**Fortum Engineering Ltd**  
Rajatorpantie 8, Vantaa  
**FIN-01019 Vantaa/Finland**  
Tel. +358 (0)9/8561 4436  
Fax +358 (0)9/8561 4418

**SERVICIOS Y SUMINISTROS S.A.**  
Casilla Correo 5239  
**RA-1000 Buenos Aires/Argentina**  
Tel. +54 (0)11/4796-12 80  
Fax +54 (0)11/4791-86 65

**Helmut Mauell GmbH**  
Magyarországi Iroda  
**H-1221 Budapest/Hungary**  
Tanító u. 19/A  
Tel. +36 (0)1/424 00 97  
Fax +36 (0)1/424 00 98

**SULTAN INTERNATIONAL**  
P.O. Box 3486  
**Abu Dhabi U.A.E.**  
Tel. +9712/22 44 11  
Fax +9712/22 44 55

**KANA CONTROLS**  
**GEN. TRADING & CONTRACTING CO. w.I.I.**  
Plot 28-30 Street No.31  
Al Rai Industrial Area Kuwait  
P. O. Box 25 59 3 Safat  
**13116 Kuwait**  
Tel. +9 65/47 41 3 7 3-76  
Fax +9 65 /47 41 537

## GERMANY

**Helmut Mauell GmbH**  
Am Rosenhügel 1-7  
**D-42553 Velbert**  
Tel. +49 (0)20 53/1 30  
Fax +49 (0)20 53/1 34 03

**Helmut Mauell GmbH**  
Werk Weida  
Papiermühlenweg 10  
**D-07570 Weida**  
Tel. +49 (0)3 66 03/4 80  
Fax +49 (0)3 66 03/4 83 10